

www.bmgworld.net



BEARING MAN GROUP



Ship and engine building



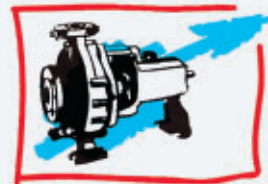
Nuclear and power technology



Offshore and petrochemical industry



Pressure equipment



Pumps and fitting production



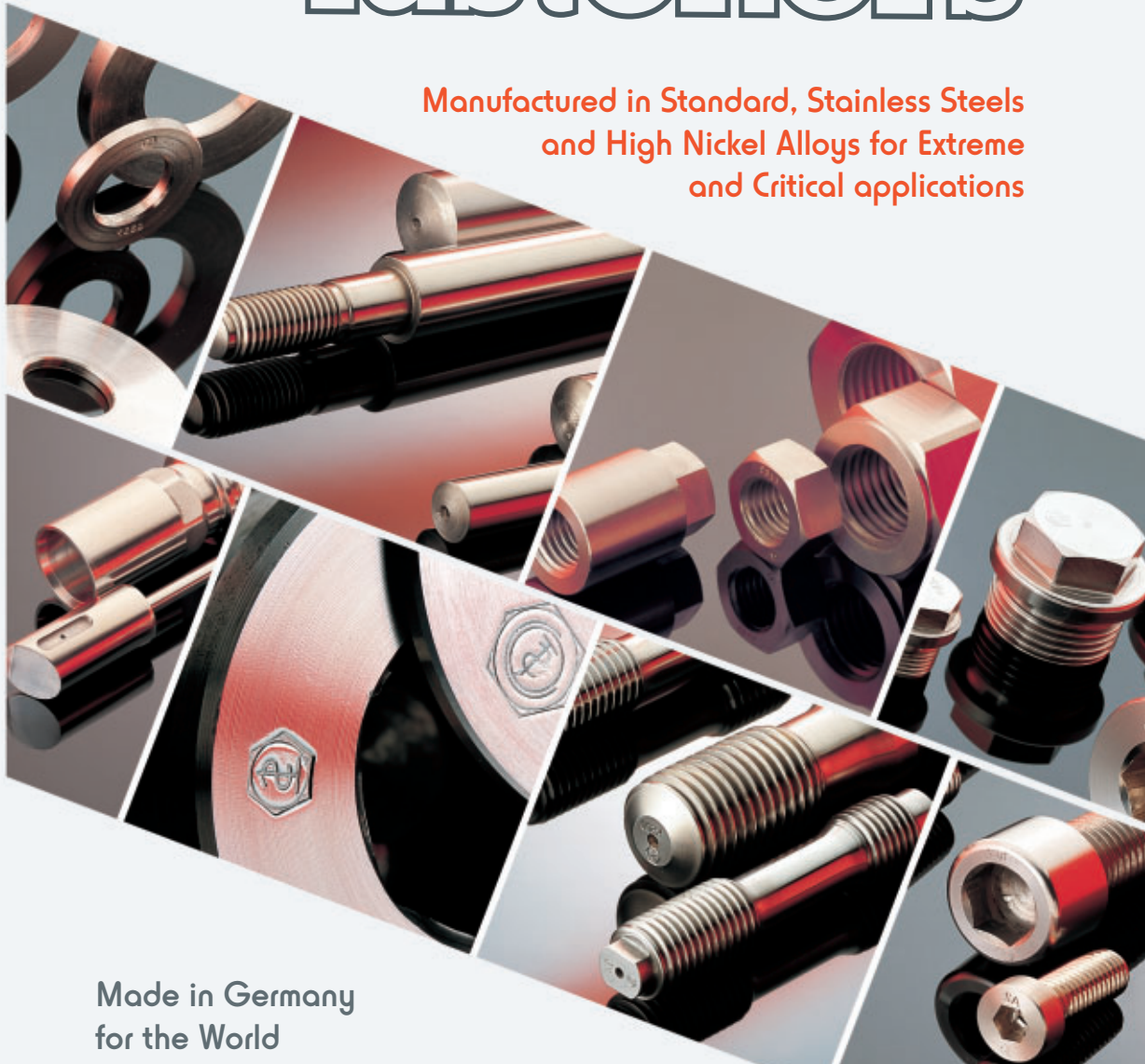
Chemical industry  
Production & Processes



Environmental engineering  
(Flue-Gas Desulfurization)

# **TS** Thome + Schwind Quality fasteners

Manufactured in Standard, Stainless Steels and High Nickel Alloys for Extreme and Critical applications



Made in Germany  
for the World

SANS ISO 9001:2000

For over 30 years, Thome + Schwind have manufactured and serviced industrial customers, globally.

With the latest technology, materials and expertise on hand, we have successfully manufactured quality steel fasteners for the industrial customer

We manufacture fasteners in standard, stainless steel and nickel alloy materials for the global customer market:

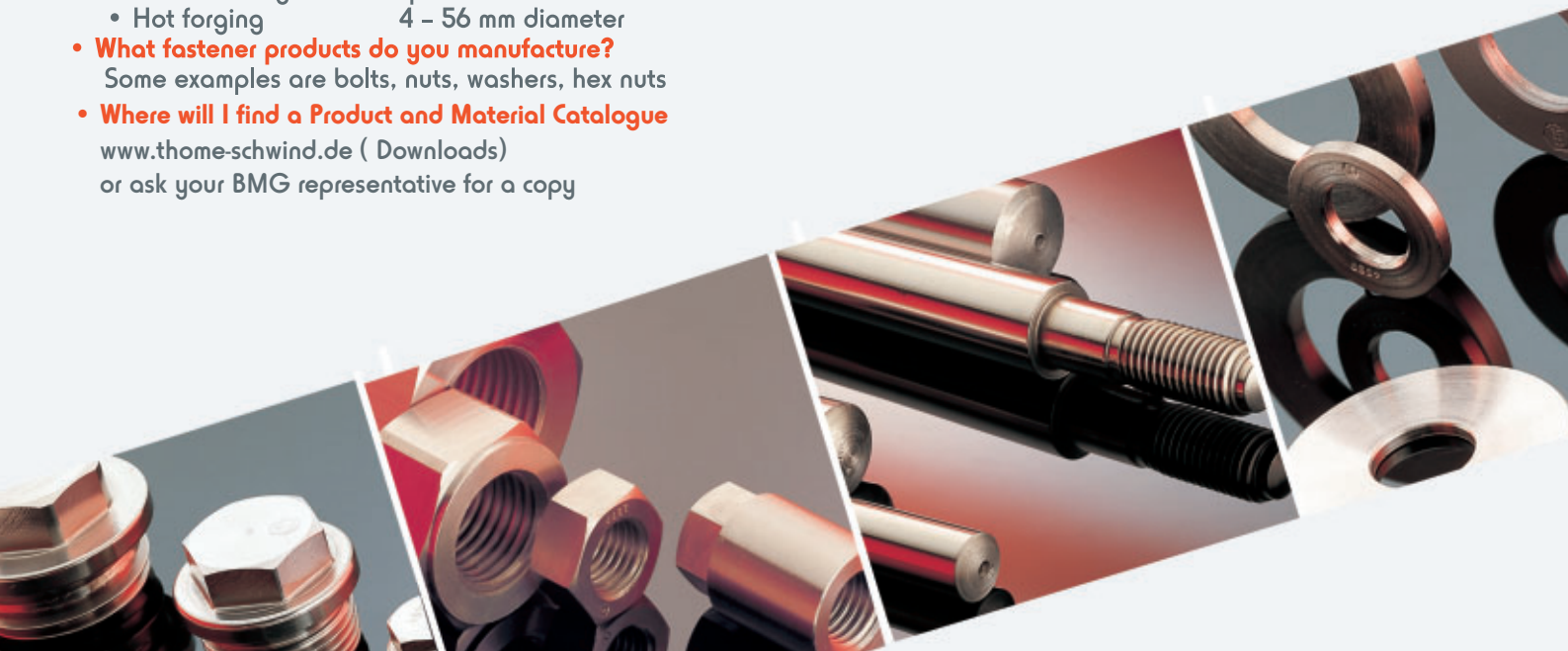
- Refineries; offshore operations
- Power plants; nuclear power plants
- Petro-chemical plants, chemical plants, pharmaceutical plants
- Pump manufacturers, transformer and electrical heavy duty equipment
- Tube and pipe fitting manufacturers
- Ship building; engine building
- Mining and exploration
- Mills, dairy plants, food processing plants
- Environmental engineering, Flue – Gas Desulfurization plants
- Extreme heat and corrosion impact operations
- Civil and mechanical construction

Our ability to manufacture CNC machining, Swiss Turn machining, Thread Rolling and Hot Forging expands to not just your regular steels and stainless steel, but also High Nickel Alloys. We have materials in stock and international delivery systems to deliver with quality and speed. We are accredited to leading international standards and offer testing certificates on request.

We also customize solutions according to samples and drawings. Our solutions start from quantity size of one (1) upwards.

## Frequently asked questions

- **To which standards do you manufacture fasteners?**  
DIN EN, ISO, ANSI, AS, BS, Customised drawings
- **What are Thome+Schwind's accreditations?**  
DIN EN ; ISO 9001: 2000 ; Pressure Equipment EU Directive 97 /23 /EC ; Ship building standard GL ; Nuclear rules KTA 1401
- **Can you deliver in an emergency?**  
Yes, we have branches nationwide who provide a 24 hour service and distribution facility.
- **What are your manufacturing capabilities?**
  - CNC machining             $\varnothing$  3 – 150 mm x 2000 mm
  - Swiss Turn machining     $\varnothing$  3 – 36 mm
  - Thread rolling            up to M 80 (3")
  - Hot forging                4 – 56 mm diameter
- **What fastener products do you manufacture?**  
Some examples are bolts, nuts, washers, hex nuts
- **Where will I find a Product and Material Catalogue**  
[www.thome-schwind.de](http://www.thome-schwind.de) ( Downloads)  
or ask your BMG representative for a copy





# Thome + Schwind

Manufactured in Standard, Stainless Steels and High Nickel Alloys for Extreme and Critical Applications

With over 300 Alloys at our disposal we can provide you with a solution

**Rost- und Säurebeständige Werkstoffe**  
Stainless Steels

**A3-50**  
**A4-70**  
**A5-80**

**Korrosionsbeständige Stähle**  
Corrosion Resistant Steels

1.4529 Alloy 926  
1.4539 Alloy 904L  
254 SMO®

**Duplex und Superduplex Stähle**  
Duplex and Superduplex Stainless Steels

1.4462 S31803  
SAF 2205  
1.4410 SAF 2507  
Ferralium 255  
Zeron 100  
1.4501

**Temperaturbeständige Stähle**  
Heat Resistant Alloys

Incoloy®  
800/800H/800HT  
Inconel®  
601/617/625  
253MA®

**Hochtemperatur und Hochfeste Stähle**  
High Temperature and High Strength Alloy Steels

Inconel® 718  
Inconel® X-750  
Nimonic® 80A  
1.4980 Grade 660

**Hochkorrosionsbeständige Nickelwerkstoffe**  
High Nickel Alloys

Hastelloy®  
C-276  
C-22  
C-4

**Superkorrosionsbeständige Stähle**  
Superior Corrosion Resistant Alloys

2.4605  
Alloy 59  
Hastelloy C-2000®  
Inconel® 686  
Incoloy 31

**Nichteisenmetalle**  
Non Ferrous Metals

Kuprodur  
Zirkonium  
Aluminium Bronze  
CuNi90/10, 70/30  
Titan

**Offshore und Korrosionsbeständige Stähle**  
Offshore and Corrosion Resistant Alloys

Monel®  
400  
K-500



BRANCHES NATIONWIDE

24 HR TOLL-FREE EMERGENCY BRANCH HELPLINE: 0800 022 224

www.bmgworld.net



BEARING MAN GROUP



Ship and engine building



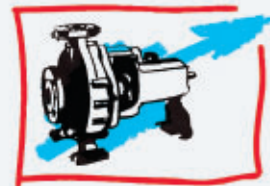
Nuclear and power technology



Offshore and petrochemical industry



Pressure equipment



Pumps and fitting production



Chemical industry Production & Processes



Environmental engineering (Flue-Gas Desulfurization)

# TS Thome + Schwind

## Fasteners for the Extremes

<b>Production plants:</b>	Bitburg / Rhineland-Palatinate, Menteroda / Thuringia - Germany	<b>Stock:</b>	3000 different sizes of hex nuts and washers majority M8 - M16 in 2205, 309, 310, 316Ti, 321, 904L, 926, C276
<b>Products:</b>	Fasteners including bolts, nuts, studbolts and washers in Special Steels	<b>Certificates/testing:</b>	EN 10204/2.1, 2.2, 3.1, 3.2 /3.1C/A ASTM/ASME/NACE/BS/TÜV/ABS/BV/GL/LRS
<b>Standards:</b>	DIN EN, ISO, BS, ANSI, drawing	<b>Accredited by:</b>	DIN EN, ISO 9001: 2000 Pressure Equipment EU Directive 97/23/EC, Ship building Standard GL, Nuclear rules KTA 1401
<b>Manufacturing:</b>	<ul style="list-style-type: none"> <li>• CNC machining <math>\varnothing</math> 3 - 150 mm x 2000 mm</li> <li>• Swiss turn machining <math>\varnothing</math> 3 - 36 mm</li> <li>• Thread rolling up to M 80 (3")</li> <li>• Hot forging 4 - 56 mm diameter</li> </ul>		

