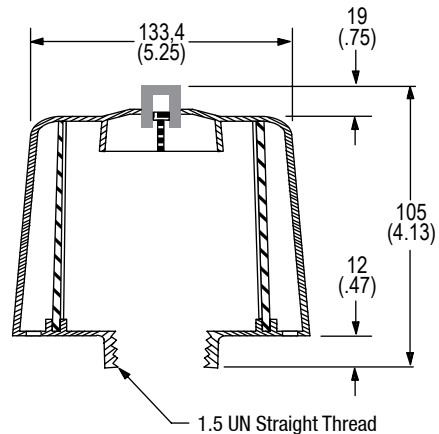


# Breathers

## Vickers DirtGate™ - Particle Blocking Vent Breather



Dirt-gate Specifications



### The DirtGate™ Prevents Dirt Ingression.

- "DirtGate media is made of a strong graded matrix especially designed for removing airborne contamination.
- This media is pleated to maximize surface area (high dirt holding capacity) and provides high efficiency (99% at 2 micron) with very low pressure drop."

### Features and Benefits

- Rugged ABS plastic housing can be exposed to temperatures as high as 121°C and is corrosion resistant.
- Visual mechanical clogging indicator, which triggers at  $\Delta P$  0,07 bar (1 psid) when particles block the media, alerts the operator before pumps start to cavitate
- Easy installation - Lightweight design requires only hand tightening.
- Low pressure drop across filter media reduces stress on reservoir and system components.
- The internal media surface incorporates a layer of oil attractant to coalesce any oil mist droplets or splashes and drain them back to the reservoir.

### Performance

Max Air Flow	2406 lpm (80 SCFM)
Particle Control:	2 Micron
Efficiency:	99%
Clogging Indicator Setting:	$\Delta P$ 0,07 bar (1 psid)
Port Size	1 1/2" -16 UN - Female

### Breather Part Number

**BR210**

### Adaptors

Threaded Pipe Adaptor  
Fits standard 1" nipple



Part Number

**BR110 ADAPTOR**

Bayonette Adaptor  
Fits Standard Mounting Flange of a reservoir filler/  
breather assembly



Part Number

**924710**

## Reservoir Vent Breathers - Selection Matrix With Threaded Port



Part Number	Features - Vent Breathers								
	Particle Control	Water (H <sub>2</sub> O) Control	Corrosion Resistant	Clogging Indicator	Micron Rating	Efficiency	Max Air Flow lpm (SCFM)	Threaded Connection	Available Adaptors
BR110	✓	✓	✓	✓	3µm	99.00%	2406 (80)	1 1/2"-16 UN - Female	1" BSPF
BR210	✓	-	✓	✓	2µm	99.95%	2406 (80)	1 1/2"-16 UN - Female	1" BSPF
V0211B2R03	✓	-	-	-	3µm	99.95%	1131 (40)	1 1/2"-16 UN - Female	1" BSPF
V0211B1R03	✓	-	-	-	3µm	99.95%	1131 (40)	1 1/2"-16 UN - Female	1" BSPF
ABF-3/10	✓	-	-	-	3µm	99.95%	1131 (40)	3/4" NPT Male	-
MBR110	✓	✓	-	-	10µm	99.00%	475 (16)	3/4" NPT Male	-
TRM234B	✓	-	-	-	40µm	Nominal	700 (24)	3/4" BSP Male	-
TRM234BS10	✓	-	-	-	10µm	Nominal	700 (24)	3/4" BSP Male	-
BPS-40N12	✓	-	✓	-	40µm	Nominal	500 (17.7)	3/4" BSPT Male	-
BPS-40B12	✓	-	✓	-	40µm	Nominal	500 (17.7)	3/4" BSP Male	-
CPS-40B12	✓	-	✓	-	40µm	Nominal	259 (8.8)	3/4" BSP Male	-
TRM112B	✓	-	✓	-	10µm	Nominal	350 (12.3)	1/2" BSP	-
DPS-40B06	✓	-	✓	-	40µm	Nominal	120 (4.2)	3/8" BSP	-
TRM114	✓	-	-	-	40µm	Nominal	250 (8.8)	1/4" BSP	-

Part Number	Features - Pressurised Vent Breathers				
	Pressure Calibration	Micron Rating	Efficiency	Max Air Flow lpm (SCFM)	Threaded Connection
TRVM34035	0.35 Bar	40µm	Nominal	700 (24)	3/4" BSP Male
TRVM34070	0.7 Bar	40µm	Nominal	700 (24)	3/4" BSP Male
TRVM34035S1	0.35 Bar	10µm	Nominal	700 (24)	3/4" BSP Male
TRVM34070S1	0.7 Bar	10µm	Nominal	700 (24)	3/4" BSP Male

# Breathers

## Filler Breathers - Selection Matrix With Standard Reservoir Mounting Flange and Strainer Basket



Part Number	Features - Filler Breathers								
	Particle Control	Water (H2O) Control	Corrosion Resistant	Clogging Indicator	Micron Rating	Efficiency	Max Air Flow lpm (SCFM)	Flange PCD (F4)	Lockable
BR110-F	✓	✓	✓	✓	3µm	99.00%	2406 (80)	73 mm	-
BR210-F	✓	-	✓	✓	2µm	99.95%	2406 (80)	73 mm	-
ABF-3/10-S	✓	-	-	-	3µm	99.95%	1131 (40)	73 mm	-
MBR120	✓	✓	-	-	10µm	99.00%	475 (16)	73 mm	-
TR2	✓	-	-	-	40µm	Nominal	700 (24)	73 mm	-
TR2S1D	✓	-	-	-	10µm	Nominal	700 (24)	73 mm	-
TRC2	✓	-	-	-	40µm	Nominal	700 (24)	73 mm	✓
TR1	✓	-	-	-	40µm	Nominal	250 (8.8)	41 mm	-

Part Number	Features - Pressurised Filler Breathers					
	Pressure Calibration	Micron Rating	Efficiency	Max Air Flow lpm (SCFM)	Flange PCD (F4)	Lockable
TRV2035L	0.35 Bar	40µm	Nominal	700 (24)	73 mm	✓
TRV2070	0.7 Bar	40µm	Nominal	700 (24)	73 mm	-
TRV2035LS1	0.35 Bar	10µm	Nominal	700 (24)	73 mm	✓
TRV2070S1	0.7 Bar	10µm	Nominal	700 (24)	73 mm	-

