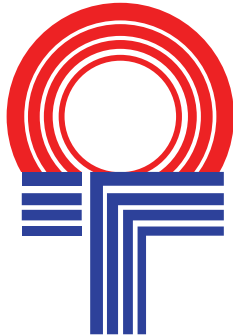


# SAE Flanges

## SAE O-Ring Flanges - BSP Threaded



- Forged in carbon steel and conforming to SAE J518 standard
- Supplied complete with four metric or UNC bolts, four washers & one oring
- Note: Although all 6000 series flanges have a designated working pressure of 6000 psi (414 Bar), working pressures of 3000 series flanges vary between sizes. To avoid dangerous failures, always check the recommended working pressure of 3000 series flanges against system pressure prior to installation

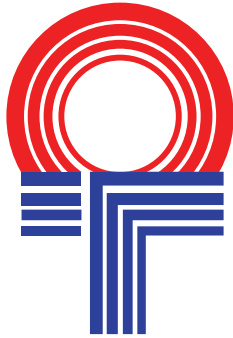
**3000 Series BSP Threaded Flanges (Code 61)**

Size	Part Number	Max Working Pressure (Bar)	Bolts
3/4"	AFS100GM	345	Metric
3/4"	AFS100GU	345	UNC
1"	AFS102GM	345	Metric
1"	AFS102GU	345	UNC
1 1/4"	AFS104GM	276	Metric
1 1/4"	AFS104GU	276	UNC
1 1/2"	AFS106GM	207	Metric
1 1/2"	AFS106GU	207	UNC
2"	AFS108GM	207	Metric
2"	AFS108GU	207	UNC
2 1/2"	AFS110GM	172	Metric
2 1/2"	AFS110GU	172	UNC
3"	AFS112GM	138	Metric
3"	AFS112GU	138	UNC
3 1/2"	AFS114GM	34	Metric
3 1/2"	AFS114GU	34	UNC
4"	AFS116GM	34	Metric
4"	AFS116GU	34	UNC

**6000 Series BSP Threaded Flanges (Code 62)**

Size	Part Number	Max Working Pressure (Bar)	Bolts
3/4"	AFS402GM	414	Metric
3/4"	AFS402GU	414	UNC
1"	AFS403GM	414	Metric
1"	AFS403GU	414	UNC
1 1/4"	AFS404GM	414	Metric
1 1/4"	AFS404GU	414	UNC
1 1/2"	AFS405GM	414	Metric
1 1/2"	AFS405GU	414	UNC
2"	AFS406GM	414	Metric
2"	AFS406GU	414	UNC
2 1/2"	AFS507GM	414	Metric
2 1/2"	AFS507GU	414	UNC
3"	AFS508GM	414	Metric

## SAE O-Ring Flanges - Socket Weld



- Forged in carbon steel and conforming to SAE J518 standard
- Supplied complete with four metric or UNC bolts, four washers & one oring
- Note: Although all 6000 series flanges have a designated working pressure of 6000 psi (414 Bar), working pressures of 3000 series flanges vary between sizes. To avoid dangerous failures, always check the recommended working pressure of 3000 series flanges against system pressure prior to installation

### 3000 Series Socket Weld Flanges (Code 61)

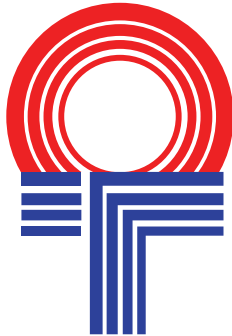
Size	Part Number	Max Working Pressure (Bar)	Bolts
3/4"	AFS100SM	345	Metric
3/4"	AFS100SU	345	UNC
1"	AFS102SM	345	Metric
1"	AFS102SU	345	UNC
1 1/4"	AFS104SM	276	Metric
1 1/4"	AFS104SU	276	UNC
1 1/2"	AFS106SM	207	Metric
1 1/2"	AFS106SU	207	UNC
2"	AFS108SM	207	Metric
2"	AFS108SU	207	UNC
2 1/2"	AFS110SM	172	Metric
2 1/2"	AFS110SU	172	UNC
3"	AFS112SM	138	Metric
3"	AFS112SU	138	UNC
3 1/2"	AFS114SM	34	Metric
3 1/2"	AFS114SU	34	UNC
4"	AFS116SM	34	Metric
4"	AFS116SU	34	UNC

### 6000 Series Socket Weld Flanges (Code 62)

Size	Part Number	Max Working Pressure (Bar)	Bolts
3/4"	AFS402SM	414	Metric
3/4"	AFS402SU	414	UNC
1"	AFS403SM	414	Metric
1"	AFS403SU	414	UNC
1 1/4"	AFS404SM	414	Metric
1 1/4"	AFS404SU	414	UNC
1 1/2"	AFS405SM	414	Metric
1 1/2"	AFS405SU	414	UNC
2"	AFS406SM	414	Metric
2"	AFS406SU	414	UNC
2 1/2"	AFS507SM	414	Metric
2 1/2"	AFS507SU	414	UNC
3"	AFS508SM	414	Metric

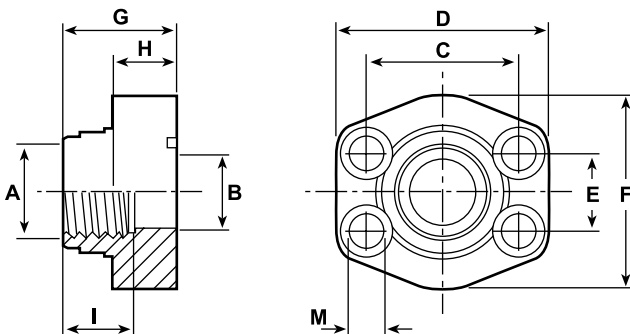
# SAE Flanges

## SAE O-Ring Flange Dimensions BSP Threaded and Socket Weld Flanges

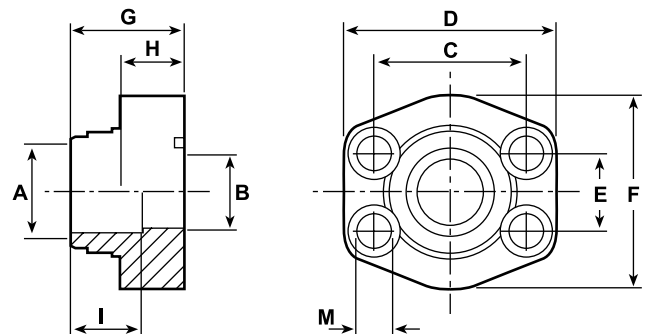


3000 Series	Size	A Threaded	A Socket Weld	B	C	D	E	F	G	H	I	L	Metric Cap Screws	UNC Cap Screws	Weight (Kg)
	3/4"	3/4" BSPF	27.2	19	47.63	65	22.23	50	36	18	19	11	M10x35	3/8x1"1/2	0,37
1"	1" BSPF	34	25	52.37	70	26.19	55	38	18	22	11	M10x35	3/8x1"1/2	0,45	
1 1/4"	1"1/4 BSPF	42.8	32	58.72	79	30.18	68	40	21	22	11.5	M10x40	7/16x1"3/4	0,66	
1 1/2"	1"1/2 BSPF	48.6	38	69.85	93	35.71	78	45	25	24	13.5	M12x45	1/2x1"3/4	1,05	
2"	2" BSPF	61	51	77.77	102	42.88	90	45	25	30	13.5	M12x45	1/2x1"3/4	1,17	
2 1/2"	2"1/2 BSPF	76.6	63	88.9	114	50.8	105	50	25	30	13.5	M12x45	1/2x1"3/4	1,59	
3"	3" BSPF	90.5	73	106.38	134	61.93	124	50	27	34	17.5	M16x50	5/8x2"	2,28	
3 1/2"	3"1/2 BSPF	103	89	120.65	152	69.85	136	48	27	34	17.5	M16x50	5/8x2"	2,42	
4"	4" BSPF	115.5	99	130.18	162	77.77	146	48	27	34	17.5	M16x50	5/8x2"	2,78	

6000 Series	Size	A Threaded	A Socket Weld	B	C	D	E	F	G	H	I	L	Metric Cap Screws	UNC Cap Screws	Weight (Kg)
	3/4"	3/4" BSPF	27.2	19	50.8	71	23.8	55	35	21	19	11	M10x40	3/8x1"1/2	0,51
1"	1" BSPF	34	25	57.15	81	27.76	65	42	25	22	13	M12x45	7/16x1"3/4	0,81	
1 1/4"	1"1/4 BSPF	42.8	32	66.68	95	31.75	78	45	27	23	15 *	M14x45	1/2x1"3/4	1,13	
1 1/2"	1"1/2 BSPF	48.6	38	79.38	112	36.5	94	50	30	26	17	M16x50	5/8x2"	1,81	
2"	2" BSPF	61	51	96.82	134	44.45	114	65	37	30	21	M20x70	3/4x2"1/2	3,31	
2 1/2"	2"1/2 BSPF	76.6	63	123.8	180	58.7	152	80	45	32	26	M24x80		6,75	
3"	3" BSPF	90.5	73	152.4	208	71.4	178	90	55	40	33	M30x100			



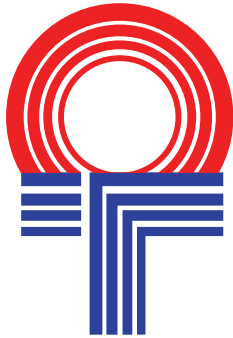
BSP Threaded



Socket Weld



## SAE Counter Flanges - BSP Threaded



- Forged in carbon steel and conforming to SAE J518 standard
- Supplied with metric or UNC threaded fixing holes
- Note: Although all 6000 series flanges have a designated working pressure of 6000 psi (414 Bar), working pressures of 3000 series flanges vary between sizes. To avoid dangerous failures, always check the recommended working pressure of 3000 series flanges against system pressure prior to installation

**3000 Series BSP Threaded Counter Flanges (Code 61)**

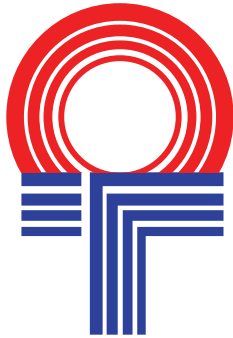
Size	Part Number	Max Working Pressure (Bar)	Fixing Bolt Holes
3/4"	GFS100G	345	Metric
3/4"	GFS100GU	345	UNC
1"	GFS102G	345	Metric
1"	GFS102GU	345	UNC
1 1/4"	GFS104G	276	Metric
1 1/4"	GFS104GU	276	UNC
1 1/2"	GFS106G	207	Metric
1 1/2"	GFS106GU	207	UNC
2"	GFS108G	207	Metric
2"	GFS108GU	207	UNC
2 1/2"	GFS110G	172	Metric
2 1/2"	GFS110GU	172	UNC
3"	GFS112G	138	Metric
3"	GFS112GU	138	UNC
3 1/2"	GFS114G	34	Metric
3 1/2"	GFS114GU	34	UNC
4"	GFS116G	34	Metric
4"	GFS116GU	34	UNC

**6000 Series BSP Threaded Counter Flanges (Code 62)**

Size	Part Number	Max Working Pressure (Bar)	Fixing Bolt Holes
3/4"	GFS402G	414	Metric
3/4"	GFS402GU	414	UNC
1"	GFS403G	414	Metric
1"	GFS403GU	414	UNC
1 1/4"	GFS404G	414	Metric
1 1/4"	GFS404GU	414	UNC
1 1/2"	GFS405G	414	Metric
1 1/2"	GFS405GU	414	UNC
2"	GFS406G	414	Metric
2"	GFS406GU	414	UNC
2 1/2"	GFS507G	414	Metric
2 1/2"	GFS507GU	414	UNC
3"	GFS508G	414	Metric

# SAE Flanges

## SAE Counter Flanges - Socket Weld



- Forged in carbon steel and conforming to SAE J518 standard
- Supplied with metric or UNC threaded fixing holes
- Note: Although all 6000 series flanges have a designated working pressure of 6000 psi (414 Bar), working pressures of 3000 series flanges vary between sizes. To avoid potential failures, always check the recommended working pressure of 3000 series flanges against system pressure prior to installation

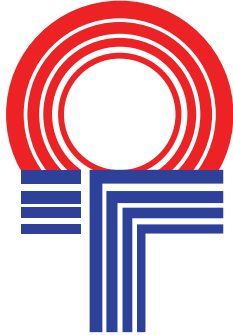
**3000 Series Socket Weld Counter Flanges (Code 61)**

Size	Part Number	Max Working Pressure (Bar)	Fixing Bolt Holes
3/4"	GFS100S	345	Metric
3/4"	GFS100SU	345	UNC
1"	GFS102S	345	Metric
1"	GFS102SU	345	UNC
1 1/4"	GFS104S	276	Metric
1 1/4"	GFS104SU	276	UNC
1 1/2"	GFS106S	207	Metric
1 1/2"	GFS106SU	207	UNC
2"	GFS108S	207	Metric
2"	GFS108SU	207	UNC
2 1/2"	GFS110S	172	Metric
2 1/2"	GFS110SU	172	UNC
3"	GFS112S	138	Metric
3"	GFS112SU	138	UNC
3 1/2"	GFS114S	34	Metric
3 1/2"	GFS114SU	34	UNC
4"	GFS116S	34	Metric
4"	GFS116SU	34	UNC

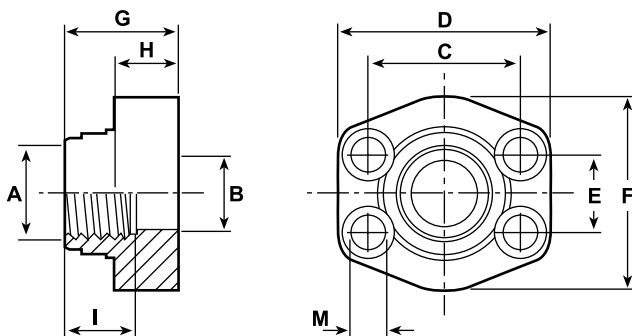
**6000 Series Socket Weld Counter Flanges (Code 62)**

Size	Part Number	Max Working Pressure (Bar)	Fixing Bolt Holes
3/4"	GFS402S	414	Metric
3/4"	GFS402SU	414	UNC
1"	GFS403S	414	Metric
1"	GFS403SU	414	UNC
1 1/4"	GFS404S	414	Metric
1 1/4"	GFS404SU	414	UNC
1 1/2"	GFS405S	414	Metric
1 1/2"	GFS405SU	414	UNC
2"	GFS406S	414	Metric
2"	GFS406SU	414	UNC
2 1/2"	GFS507S	414	Metric
2 1/2"	GFS507SU	414	UNC
3"	GFS508S	414	Metric

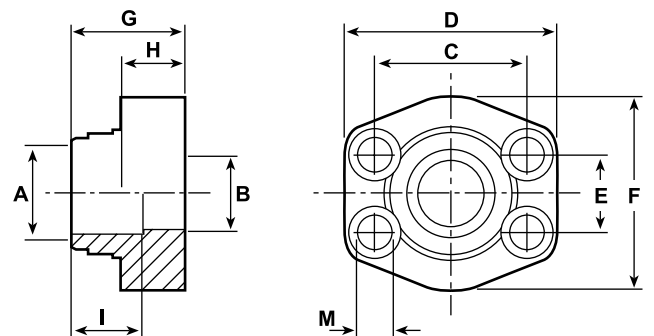
## SAE Counter Flange Dimensions BSP Threaded and Socket Weld Counter Flanges (without o-ring)



	Size	A Threaded	A Socket Weld	B	C	D	E	F	G	H	I	M Metric	M UNC	Weight (Kg)
<b>3000 Series</b>	3/4"	3/4" BSPF	27.2	19	47.63	65	22.23	50	36	18	19	M10	3/8	0.41
	1"	1" BSPF	34	25	52.37	70	26.19	55	38	18	22	M10	3/8	0.49
	1 1/4"	1"1/4 BSPF	42.8	32	58.72	79	30.18	68	40	21	22	M10	7/16	0.71
	1 1/2"	1"1/2 BSPF	48.6	38	69.85	93	35.71	78	45	25	24	M12	1/2	1.12
	2"	2" BSPF	61	51	77.77	102	42.88	90	45	25	30	M12	1/2	1.24
	2 1/2"	2"1/2 BSPF	76.6	63	88.9	114	50.8	105	50	25	30	M12	1/2	1.66
	3"	3" BSPF	90.5	73	106.38	134	61.93	124	50	27	34	M16	5/8	2.37
	3 1/2"	3"1/2 BSPF	103	89	120.65	152	69.85	136	48	27	34	M16	5/8	2.51
<b>6000 Series</b>	4"	4" BSPF	115.5	99	130.18	162	77.77	146	48	27	34	M16	5/8	2.87
	3/4"	3/4" BSPF	27.2	19	50.8	71	23.8	55	35	21	19	M10	3/8	0.55
	1"	1" BSPF	34	25	57.15	81	27.76	65	42	25	22	M12	7/16	0.87
	1 1/4"	1"1/4 BSPF	42.8	32	66.68	95	31.75	78	45	27	23	M14	1/2	1.21
	1 1/2"	1"1/2 BSPF	48.6	38	79.38	112	36.5	94	50	30	26	M16	5/8	1.9
	2"	2" BSPF	61	51	96.82	134	44.45	114	65	37	30	M20	3/4x2	3.43
	2 1/2"	2"1/2 BSPF	76.6	63	123.8	180	58.7	152	80	45	32	M24		6.98
3"	3" BSPF	90.5	73	152.4	208	71.4	178	90	55	40	M30			



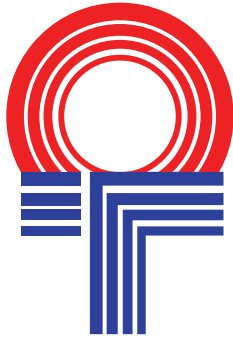
BSP Threaded



Socket Weld

# SAE Flanges

## SAE Blanking Flanges With O-Ring



Forged in carbon steel and conforming to SAE J518 standard  
 Supplied complete with one oring  
 Supplied without bolts

Note: Although all 6000 series flanges have a designated working pressure of 6000 psi (414 Bar), working pressures of 3000 series flanges vary between sizes. To avoid dangerous failures, always check the recommended working pressure of 3000 series flanges against system pressure prior to installation

### 3000 Series Blanking Flanges (Code 61)

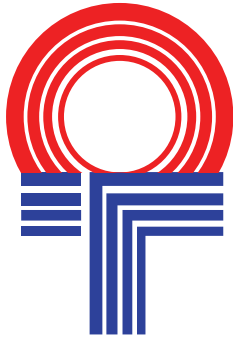
Size	Part Number	Max Working Pressure (Bar)	Bolts
3/4"	<b>AFC100</b>	345	Bolts Sold Separately
1"	<b>AFC102</b>	345	Bolts Sold Separately
1 1/4"	<b>AFC104</b>	276	Bolts Sold Separately
1 1/2"	<b>AFC106</b>	207	Bolts Sold Separately
2"	<b>AFC108</b>	207	Bolts Sold Separately
2 1/2"	<b>AFC110</b>	172	Bolts Sold Separately
3"	<b>AFC112</b>	138	Bolts Sold Separately
3 1/2"	<b>AFC114</b>	34	Bolts Sold Separately
4"	<b>AFC116</b>	34	Bolts Sold Separately

### 6000 Series Blanking Flanges (Code 62)

Size	Part Number	Max Working Pressure (Bar)	Bolts
3/4"	<b>AFC402</b>	414	Bolts Sold Separately
1"	<b>AFC403</b>	414	Bolts Sold Separately
1 1/4"	<b>AFC404</b>	414	Bolts Sold Separately
1 1/2"	<b>AFC405</b>	414	Bolts Sold Separately
2"	<b>AFC406</b>	414	Bolts Sold Separately
2 1/2"	<b>AFC507</b>	414	Bolts Sold Separately
3"	<b>AFC508</b>	414	Bolts Sold Separately

# SAE Flanges

## SAE Blanking Flange Dimensions With O-Ring



	Size	C	D	E	F	H	L	Metric Cap Screws	UNC Cap Screws	Weight (Kg)
3000 Series	3/4"	47.63	65	22.23	50	18	11	M10x35	3/8x1"1/2	0,37
	1"	52.37	70	26.19	55	18	11	M10x35	3/8x1"1/2	0,45
	1 1/4"	58.72	79	30.18	68	21	11.5	M10x40	7/16x1"3/4	0,66
	1 1/2"	69.85	93	35.71	78	25	13.5	M12x45	1/2x1"3/4	1,05
	2"	77.77	102	42.88	90	25	13.5	M12x45	1/2x1"3/4	1,17
	2 1/2"	88.9	114	50.8	105	25	13.5	M12x45	1/2x1"3/4	1,59
	3"	106.38	134	61.93	124	27	17.5	M16x50	5/8x2"	2,28
	3 1/2"	120.65	152	69.85	136	27	17.5	M16x50	5/8x2"	2,42
6000 Series	4"	130.18	162	77.77	146	27	17.5	M16x50	5/8x2"	2,78
	3/4"	50.8	71	23.8	55	21	11	M10x40	3/8x1"1/2	0,51
	1"	57.15	81	27.76	65	25	13	M12x45	7/16x1"3/4	0,81
	1 1/4"	66.68	95	31.75	78	27	15 *	M14x45	1/2x1"3/4	1,13
	1 1/2"	79.38	112	36.5	94	30	17	M16x50	5/8x2"	1,81
	2"	96.82	134	44.45	114	37	21	M20x70	3/4x2"1/2	3,31
	2 1/2"	123.8	180	58.7	152	45	26	M24x80		6,75
3"	152.4	208	71.4	178	55	33	M30x100			

Bolts sold separately

