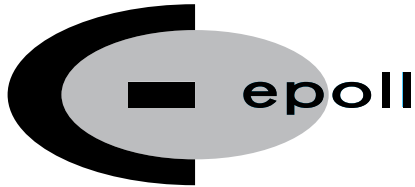


Accumulators

High Pressure Accumulators



EPE Italiana s.r.l.



Technical Specifications

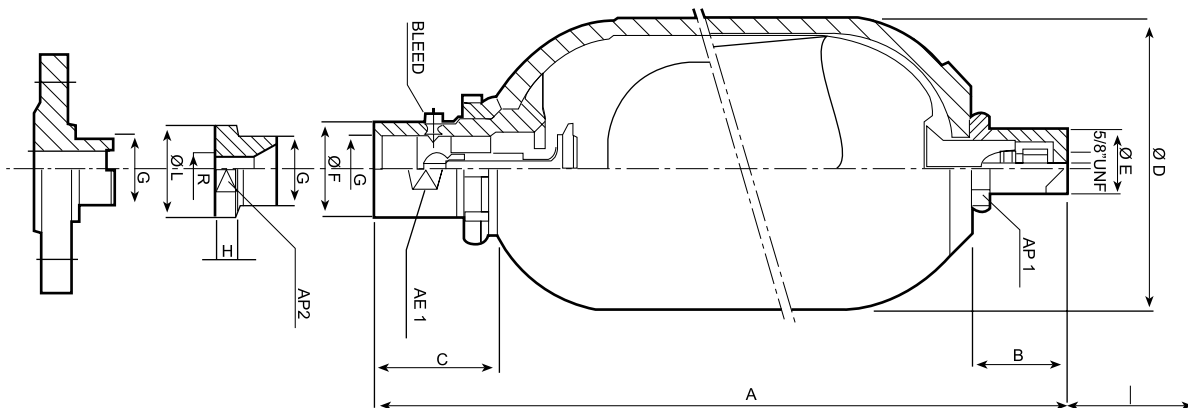
- Compatible with mineral, vegetable, silicon and lubricating oils, industrial waters, glycols, nonflammable liquids (HFA - HFB - HFC), aliphatic hydrocarbons, butane, diesel oil, kerosene, fuel oils, etc.
- Temperature range from -20°C to 85°C (For special hydrogenated Nitrile Bladders contact call centre)
- On request accumulators can be charged to the customers required Nitrogen pressure.
- Repairs and Recharging as well as Shell testing and certification of all makes of accumulators are carried out by Goldquest's repairs centre

Part Number	Capacity (liters)	Max Permissible Flow Rate	Max Working Pressure	Fluid Port Connection	Test Certificate
AS0,2P330GO	0.2	160 (lpm)	330 Bar	1/2" BSPP Female	97/23/EC - TÜV
AS0.7P360GO	0.7	300 (lpm)	360 Bar	3/4" BSPP Female	97/23/EC - TÜV
AS1P360GO	1	300 (lpm)	360 Bar	3/4" BSPP Female	97/23/EC - TÜV
AS1,5P360GO	1.5	300 (lpm)	360 Bar	3/4" BSPP Female	97/23/EC - TÜV
AS3P360GO	3	600 (lpm)	360 Bar	1 1/4" BSPP Female	97/23/EC - TÜV
AS5P360GO	5	600 (lpm)	360 Bar	1 1/4" BSPP Female	97/23/EC - TÜV
AS10P360GO	10	1000 (lpm)	360 Bar	2" BSPP Female	97/23/EC - TÜV
AS15P360GO	15	1000 (lpm)	360 Bar	2" BSPP Female	97/23/EC - TÜV
AS20P360GO	20	1000 (lpm)	360 Bar	2" BSPP Female	97/23/EC - TÜV
AS25P360GO	25	1000 (lpm)	360 Bar	2" BSPP Female	97/23/EC - TÜV
AS35P360GO	35	1000 (lpm)	360 Bar	2" BSPP Female	97/23/EC - TÜV
AS55P360GO	55	1000 (lpm)	360 Bar	2" BSPP Female	97/23/EC - TÜV



Accumulators - Dimensions

Accumulator Dimensions



Type	Max work pressure (bar)	Gas volume (Litres)	Dry Weight (Kg)	Fluid port connection		A	B	C	Ø D	Ø E	Ø F	H	I*	A/F 1	A/F 2	
				G (BSP) STD	R (BSP) Reducers											
AS 0.2	330	0.2	1.4	1/2"	-	249	22	41	51	20	26	-		24	23	
AS 0.7	360	0.65	3.9	3/4"	0 = blind	280	47	52	90	25	36	11	140	32	32	
AS 1	360	1	4.5		3/8"	300			114							53
AS 1.5	360	1.5	7.1		1/2"	355										
AS 3	360	2.95	11	1 1/4"	0 = blind	550	65	168	55	77	11	140	70	70		
AS 5	360	5	13		3/8"-1/2"-3/4"	455										
AS 10	360	9.1	38	2"	0 = blind	570	60	101	220	55	77	11	140	70	70	
AS 15	360	14.5	45		3/8"	720										
AS 20	360	18.2	53		1/2"	875										
AS 25	360	23.5	63		3/4"	1050										
AS 35	360	33.5	83		1"	1390										
AS 55	360	50	115	1 1/4"	1900											

*I = Charging device overall size (all dimensions in mm)

Subject to change