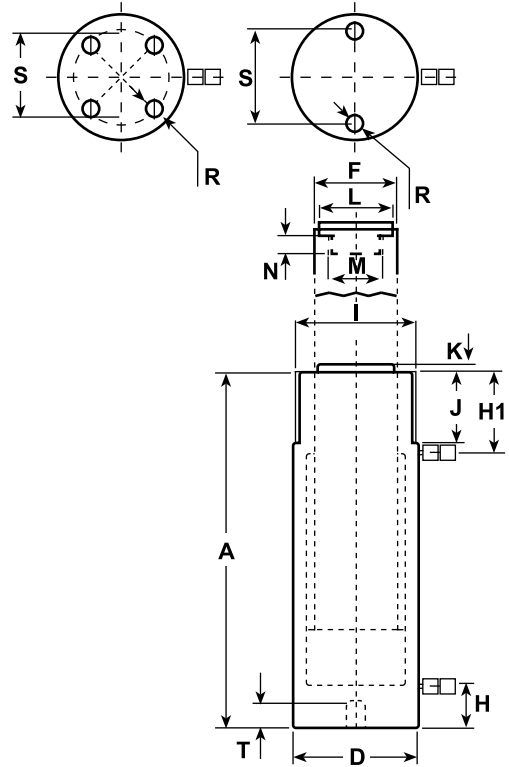


D Series Double Acting Cylinders

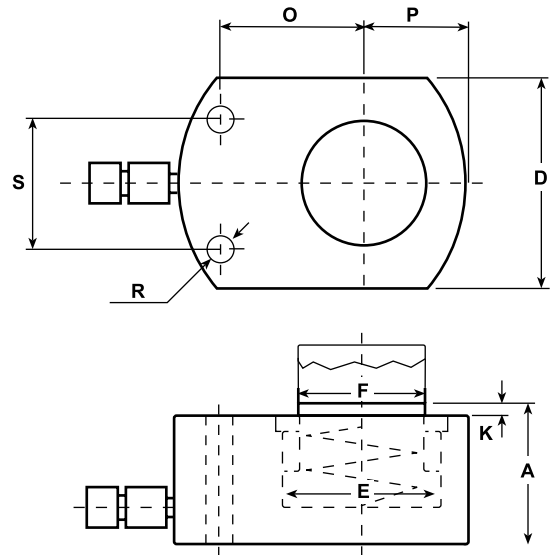


- 10 to 550 Ton Capacity
- 700 Bar
- Designed for both push and pull operations.
- Designed to execute all kind of hard works, including those requiring high precision and involving high cycle life.
- Hard chrome-plated pistons. Guide and seal system of highest quality.
- Features a safety valve to prevent accidental over-pressurization.
- Collar threads for easy fixing and pull operations
- 3/8"-18 NPT high pressure coupler included

Capacity Tn	Capacity kN		Area cm ²	D mm	E mm	F mm	H mm	I	J mm	K
	Push	Pull								
10	109	20	16	60	45	36	20	2 1/4"-14	32	7
20	214	53	31	83	63	45	20	3 1/4"-12	40	8
30	303	68	44	102	75	56	26	3 7/8"-12	48	10
50	486	72	71	127	95	80	28	5"-12	50	10
75	712	140	104	150	115	90	30	5 3/4"-12	50	10
100	911	189	133	177	130	100	38	6 7/8"-12	50	10
150	1,380	370	201	215	160	110	49	8"-12	55	10
200	2,156	560	314	265	200	140	65	9 3/4"-12	55	10
350	3,368	1,014	491	330	250	160	85	12 1/4"-12	60	10
550	5,519	1,714	804	430	320	200	110	15 5/8"-8	80	15

Single and Double Acting Cylinders

SMX Series Low Profile Single Acting Spring Return Cylinders



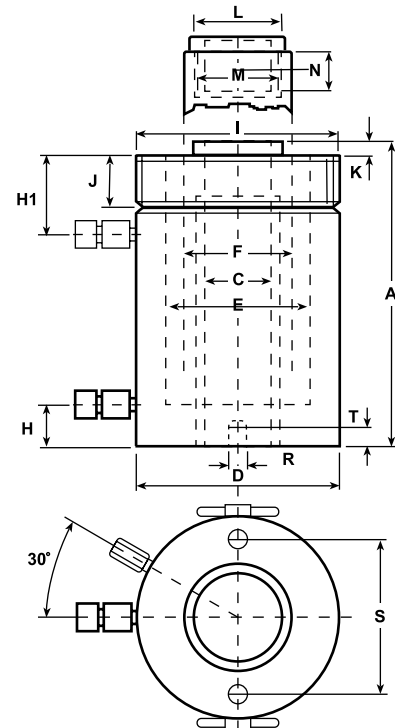
- 10 to 150 Ton Capacity
- 700 Bar
- Ultra-low profile for use in confined spaces
- Machinery positioning works, tool fastening, load test on pillars, etc.
- Spring return version
- Coupler inclined 10°

Capacity Tn	Stroke mm	SMX Series Part Number	Weight Kg	Oil Cap. cm ³	A mm	Extended Length mm
4	6	SMX00406	0.8	4	33	39
	16	SMX00416	1.2	11	43	59
10	11	SMX01011	1.6	16	43	54
22	11	SMX02211	2.8	37	52	63
30	13	SMX03013	4.1	55	59	72
50	16	SMX05016	6.6	114	68	84
75	16	SMX07516	12.5	167	79	95
100	16	SMX10016	15	223	87	103
150	16	SMX15016	25	338	100	116

Capacity Tn	Area cm ²	D mm	E mm	F mm	S mm	R mm	O mm	P mm
4	6	41	28.5	25	28	5.5	20	21
10	15	56	43	38	37	6.5	33	29
22	33	80	65	57	50	9	39	41
30	42	95	73	60	52	11	46	47
50	71	114	95	78	67	13	56	58
75	104	140	115	95	75	13	66	70.5
100	139	158	133	108	76	6.6	70	89
150	211	194	164	134	117	9	78	108

Single & Double Acting Hollow Cylinders

DH Series Double Acting Hollow Piston Cylinders



- 30 to 150 Ton Capacity
- 700 Bar
- Special hard chrome-plated pistons.
- Larzep's guide and seal system is of the highest quality.
- Collar threads for easy fixing and pull operations
- Double acting quick return cylinders are equipped with a safety valve which prevents accidental over-pressurization.
- Designed for carrying out push and pull operations.
- Tightening of cables, bars, bolts, extraction of sleeves, bearings, etc.
- Interchangeable saddles available Plain, threaded or solid

Capacity Tn	Stroke mm	Part Number	Oil Cap. cm ³	A mm	Weight Kg
30	150	DH03015	660	300	22
	250	DH03025	1,100	400	28
60	80	DH06008	674	249	35
	150	DH06015	1,263	319	42
	250	DH06025	2,105	419	53
100	38	DH10004	564	197	48
	76	DH10008	1,128	255	60
	150	DH10015	2,226	335	76
	250	DH10025	3,709	465	102
150	175	DH15018	3,586	350	110

Capacity Tn	Capacity kN		Area cm ²	C mm	D mm	E mm	F mm	H mm	H1 mm	I	J mm
	Push	Pull									
30	302	173	44	33.4	120	90	70	27	61	4 1/2"-12	42
60	578	356	84	54	165	125	95	31	66	6 1/4"-12	48
100	1,018	647	149	80	220	170	130	37	80	8 3/8"-12	60
150	1,407	566	205	80	250	190	160	37	60	-	-

Capacity Tn	K mm	L mm	M	N mm	R	S mm	T mm
30	4	55	1 13/16"-16	22	3/8"-16	92.2	17
60	5	80	2 3/4"-16	22	1/2"-13	130.3	14
100	5	116	4"-16	25	5/8"-11	177.8	19
150	10	135	4 1/4"-12	40	-	-	-

Note: 3/8" - 18 NPT high pressure coupler included (Female)