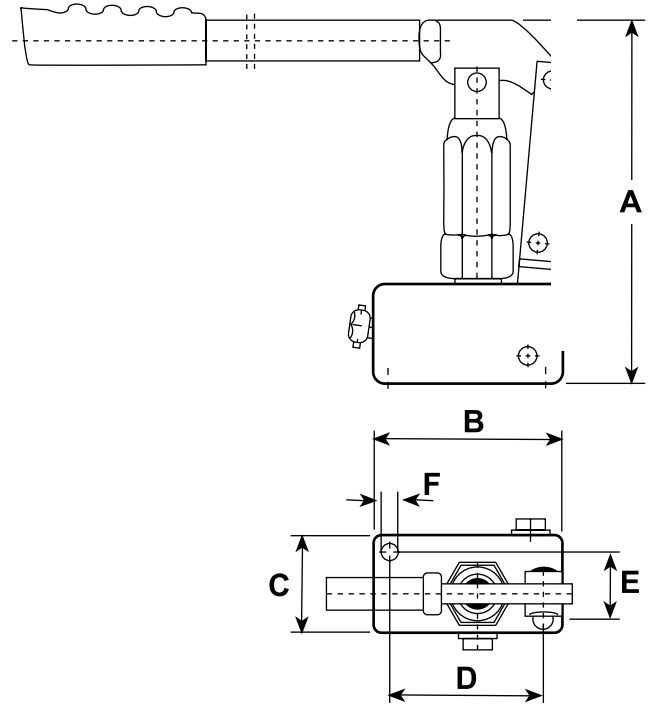


Pumps and Power Units

WI Series Modular Hydraulic Hand Pumps



- 700 Bar
- A wide range to models available to suite your pressure and flow requirements. Light weight and easy to fix at the base, they can be used with a wide variety of tanks.
- Each pump is equipped with a stainless steel piston and a standard length operation lever

Pressure Kg/cm ²	Part Number	Piston diameter mm	Oil per Stroke cm ³	Coupling	A mm	B mm	C mm	D mm	E mm	F	Weight Kg
1400	WI1400	10	3	3/8"- 18NPT	230	114	57	98.5	41.3	3/8"-16 UNC	5.3
700	WI700	13	4	3/8"- 18NPT	230	114	57	98.5	41.3	3/8"-16 UNC	5.3
210	WI210	19	10	3/8"- 18NPT	230	114	57	98.5	41.3	3/8"-16 UNC	5.3
105	WI105	26	18	3/8"- 18NPT	230	114	57	98.5	41.3	3/8"-16 UNC	5.7
35	WI035	38	36	3/8"- 18NPT	230	114	57	98.5	41.3	3/8"-16 UNC	7

W & X Series Hydraulic Hand Pumps for Double and Single Acting Cylinders

- W Series Hand Pumps are used with single acting cylinders
- These pumps are compact, lightweight and portable, and they can operate either horizontally, or vertically when the pump head is pointed downwards
- Available with either single or two-speed options, each pump comes standard with a pressure relief valve and a female 3/8"-18 NPT connection port.
- For higher oil capacity cylinders, and applications where the cylinder piston must move rapidly, we strongly recommended the use of two speed pumps
- Equipped with standard relief valve to protect against overloads.
- X Series Hand Pumps are used with double acting cylinders and systems. They are supplied with a 4-way valve with two outlet ports
- All X-series pumps have two speed options



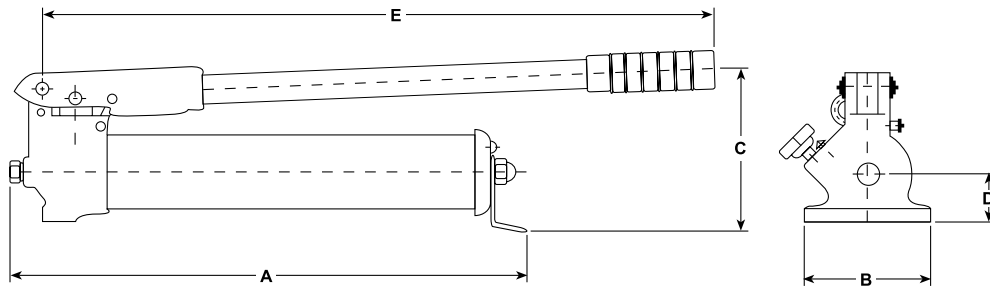
Single Acting

Speeds N°	Usable oil cm³	Part Number	Oil displacement per stroke cm³		Pressure rating		A mm	B mm	C mm	D mm	E mm	Weight Kg
			1° Stage	2° Stage	1° Stage	2° Stage						
1	240	W00307	-	2.2	-	700	350	100	112	25	400	2.7
1	660	W00607	-	2.6	-	700	500	100	150	40	560	5.5
2	660	W20607	8.1	2	20	700	500	100	150	40	560	5.5
1	1200	W01407	-	2.6	-	700	545	100	175	40	560	6.5
2	1200	W21407	8.1	2	20	700	545	100	175	40	560	6.5
2	2200	W02407	13.2	2.2	20	700	560	106	210	55	560	12
2	4200	W04407	16.5	2.8	20	700	570	142	210	75	560	20
2	7500	W07807	70.5	2.6	20	700	600	370	370	200	680	30

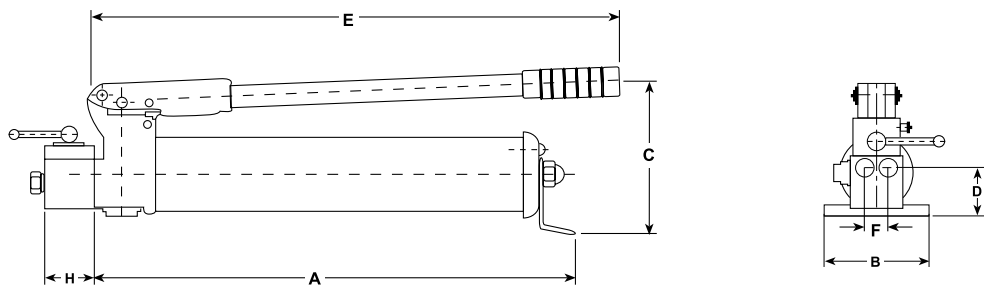
Double Acting

Speeds N°	Usable oil cm³	Part Number	Oil displacement per stroke cm³		Pressure rating		A mm	B mm	C mm	D mm	E mm	F mm	H mm	Weight Kg
			1° Stage	2° Stage	1° Stage	2° Stage								
2	2200	X02407	13.2	2.2	20	700	560	106	210	55	560	40	65	14
2	4200	X04407	16.5	2.8	20	700	570	142	210	75	560	40	65	23
2	7500	X07807	70.5	2.6	20	700	600	255	370	215	680	30	-	32

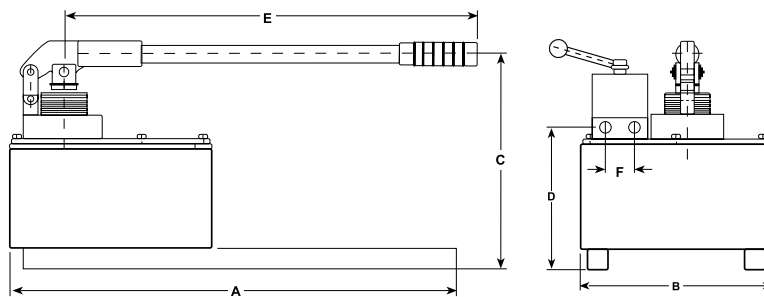
Pumps and Power Units



W00307
W00607
W20607
W01407
W21407
W02407
W04407



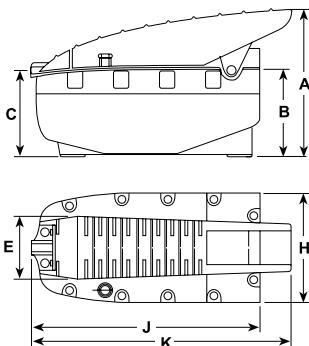
X02407
X04407



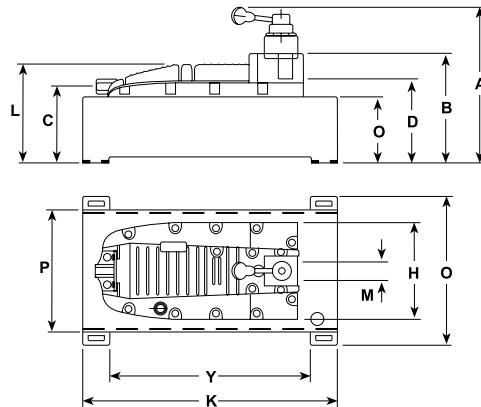
W07807
X07807

Z & ZR Series Air Hydraulic Pumps

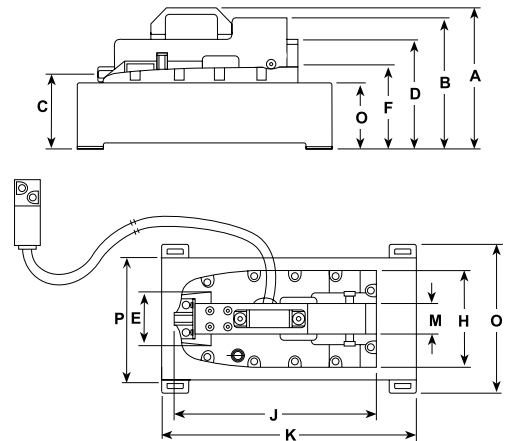
- 2100 to 4000 cm³
- 700 Bar
- Air Hydraulic Pumps are extremely silent and light weight due to the extensive use of plastic materials in their construction. These pumps develop 700 bar of oil pressure with only 5.5 bar air pressure.
- They can be used horizontally or vertically and they can be operated either with the use of a foot valve, or with a remote control pendant as in the case of the remote operated version.
- The pedal acts as distributor; the advance or return movement, are initiated by pushing "PUMP" or "RELEASE" respectively. Both Single acting and Double Acting versions are available.
- Available with several tank capacities (2,1 to 4 litres)
- Equipped with internal security valve to protect against overloads.



Z12107
Z14007



Z22107
Z24007



ZR12107
ZR14007

Cylinder Type	Oil Vol cm ³	Part Number	Air Pres- sure bar	Max flow L/min	A mm	B mm	C mm	D mm	E mm	F mm	H mm	J mm	K mm	L mm	M mm	N mm	O mm	P mm	Q mm	Kg	
Single Acting	2100	Z12107	2,8 - 10	0.8	209	127	108	-	87	-	155	320	364	-	-	-	-	-	-	-	4.65
Single Acting	4000	Z14007	2,8 - 10	0.8	209	127	108	-	87	-	155	320	364	-	-	-	-	-	-	-	4.65
Double Acting	2100	Z22107	2,8 - 10	0.8	233	162	109	129	-	-	155	-	320	147	36	107	-	-	-	-	5.2
Double Acting	4000	Z24007	2,8 - 10	0.8	244	173	120	140	-	-	155	320	420	158	36	107	104	198	240	-	5.5
Single Acting	2100	ZR12107	2,8 - 10	0.8	219	200	108	127	87	-	155	-	322	-	49	-	-	-	-	-	4.65
Single Acting	4000	ZR14007	2,8 - 10	0.8	229	212	120	177	87	139	155	322	420	-	49	-	104	198	240	-	9

Pumps and Power Units

GQ Series 700 Bar Compact Power Units



- The Goldquest Compact Power Unit is a high performance package, designed for optimum portability and ease of use
- Compact and lightweight by design
- Two-Speed Hi/Low pump reduces cycle times for improved productivity
- Powered by a 220 Volt AC single phase motor
- Capable of starting under full load
- A remote pendant, available with solenoid controlled option, allows the operator to safely control the unit from a distance
- Optional relief valve adjustment
- Optional 0-700 Bar pressure gauge
- Three reservoir volume options
- 700 Bar Max operating pressure
- High flow pump unloads at 60 Bar

Part Number Formulation

Model Code	GQCPU	3	5	3	4	0	1	1	5	11
	(1)	(2)	(3)	(4)	(5)	(6)	(7)	(8)	(9)	(10)

(1) Model

GQCPU = Goldquest Compact Power Unit

(2) Motor

3 = 0.37 kW

(3) Motor Voltage

2 = 220 VAC

(4) Pump Size

(Low Pressure (cm³/rev) - Hi Pressure (cm³/rev))

1 = 0.17 cm³/rev - 1.11 cm³/rev
 2 = 0.17 cm³/rev - 2.02 cm³/rev
 3 = 0.24 cm³/rev - 2.08 cm³/rev
 4 = 0.24 cm³/rev - 2.65 cm³/rev

(5) Reservoir Size

4 = 5 litre
 6 = 8 litre
 8 = 10 litre

(6) Adjustable Relief Valve

0 = Omit
 1 = 1 - 700 Bar

(7) Pressure Gauge

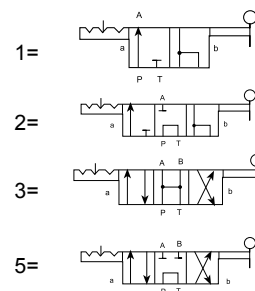
0 = Omit
 1 = 1 - 700 Bar

(8) Pendant

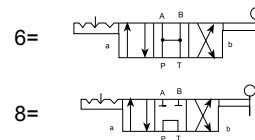
0 = Omit
 1 = 1m Length
 2 = 2m Length
 3 = 3m Length

(9) Directional Control Valve

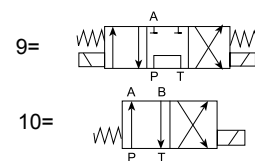
Line Mounted



Subplate Mounted NG6 DIN24340-C6



Solenoid Operated



(10) Design Number

11 Design