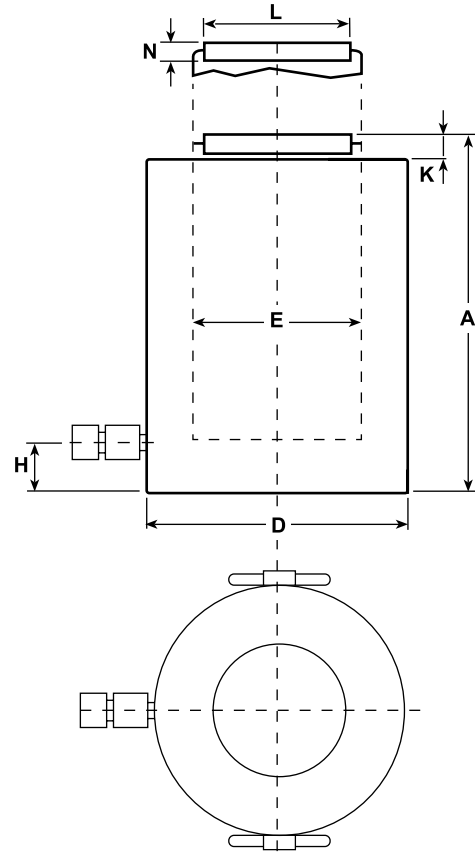


## SSR Series Single Acting High Tonnage Cylinders



- Spring Return
- 140 to 1100 Ton Capacity
- 700 Bar
- Single acting cylinders with load return. Suitable for offshore jacking.
- Designed for weighing, lifting and positioning works in Civil Engineering
- Optional tilting saddles available
- 3/8"-18 NPT coupler included (Female).

Capacity Tn	Area cm <sup>2</sup>	D mm	E mm	H mm
140	201	200	160	35
220	314	250	200	40
350	491	310	250	50
560	804	390	320	60
880	1,257	490	400	70
1,100	1,590	550	450	80

Capacity Tn	K mm	L mm	N mm
140	6	112	12
220	7	112	12
350	7	178	20
560	7	250	30
880	10	290	40
1,100	10	325	50

# High Tonnage Cylinders

Capacity Tn	Stroke mm	Part Number	Oil Cap. cm <sup>3</sup>	A mm	Weight Kg
140	50	SSR14005	1,005	155	38
	100	SSR14010	2,011	205	51
	150	SSR14015	3,016	255	63
	200	SSR14020	4,021	305	75
	250	SSR14025	5,027	355	88
	300	SSR14030	6,032	405	100
220	50	SSR22005	1,571	170	64
	100	SSR22010	3,142	220	85
	150	SSR22015	4,712	270	104
	200	SSR22020	6,283	320	123
	250	SSR22025	7,854	370	143
	300	SSR22030	9,425	420	162
350	50	SSR35005	2,454	210	123
	100	SSR35010	4,909	260	154
	150	SSR35015	7,363	310	184
	200	SSR35020	9,817	360	213
	250	SSR35025	12,272	410	243
	300	SSR35030	14,726	460	273
560	50	SSR56005	4,021	240	223
	100	SSR56010	8,042	290	272
	150	SSR56015	12,064	340	319
	200	SSR56020	16,085	390	366
	250	SSR56025	20,106	440	413
	300	SSR56030	24,127	490	459
880	50	SSR88005	6,283	290	423
	100	SSR88010	12,566	340	503
	150	SSR88015	18,850	390	577
	200	SSR88020	25,133	440	651
	250	SSR88025	31,416	490	725
	300	SSR88030	37,699	540	799
1,100	50	SSR110005	7,952	415	766
	100	SSR110010	15,904	465	867
	150	SSR110015	23,856	515	960
	200	SSR110020	31,809	565	1,054
	250	SSR110025	39,761	615	1,147
	300	SSR110030	47,713	665	1,240

Note: Tilting saddles can be supplied for cylinders that operate under side load