

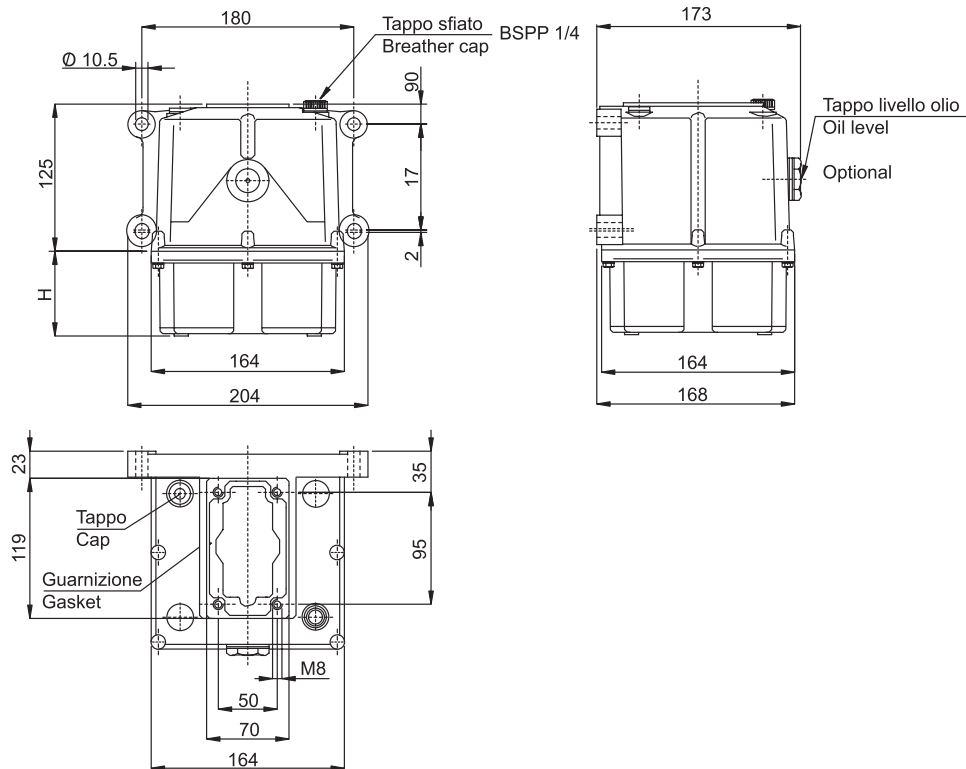
Reservoirs

Aluminium Reservoirs (For use with Hand Pumps)



Part Number Selection

Part Number	Capacity (Litres)	H (mm)	Weight (Kg)
TNA3	3	70	1,60
TNA5	5	180	1,80



For PMS and PMI Series hand pumps, see pumps section.



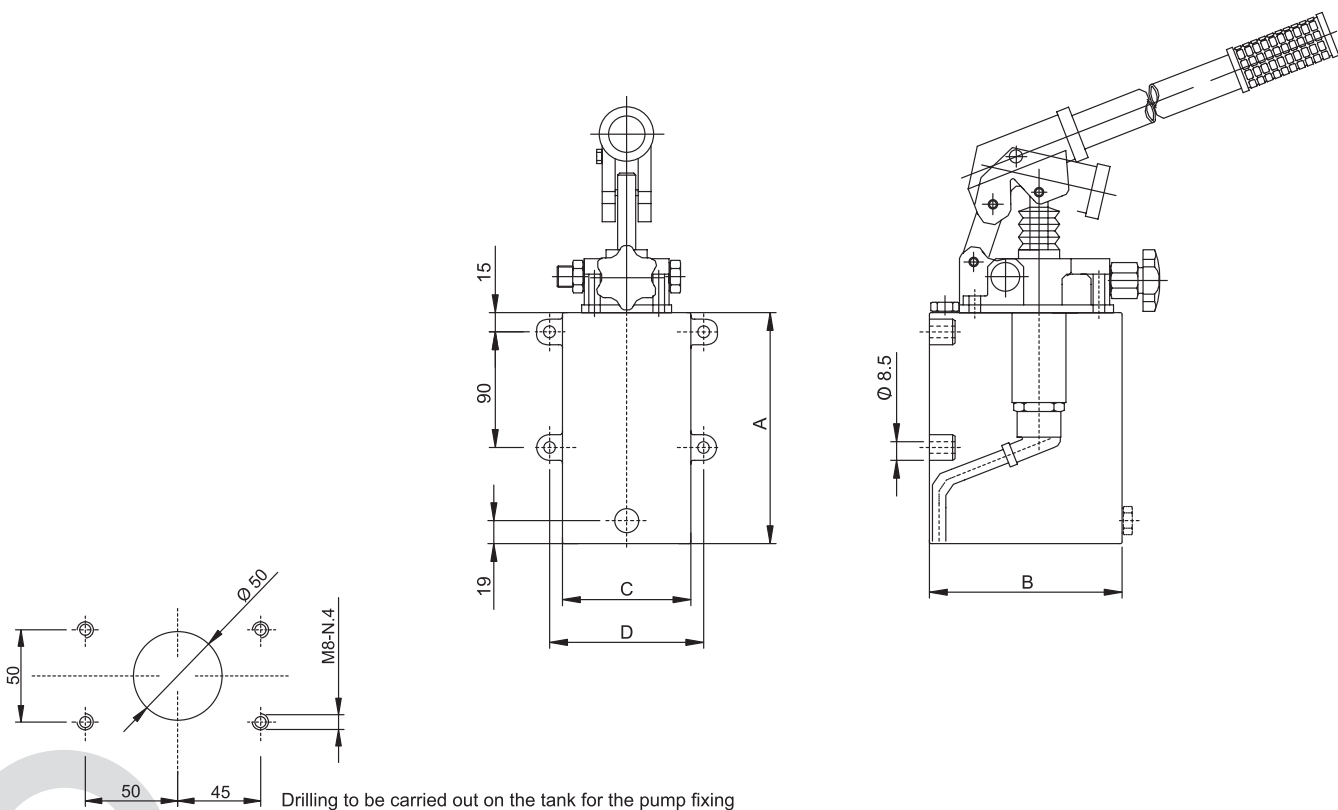
Steel Reservoirs (For use with Hand Pumps)



Part Number Selection

Part Number	Capacity (Litres)	A (mm)	B (mm)	C (mm)	D (mm)	Weight (Kg)
TNK1	1	120	150	100	120	2,0
TNK2	2	180	150	100	120	2,2
TNK3	3	247	150	100	120	2,5
TNK5	5	200	175	175	195	4,5
TNK7	7	269	175	175	195	5,4
TNK10	10	376	175	175	195	6,8

Ideal for use with PMS and PMI Hand Pumps

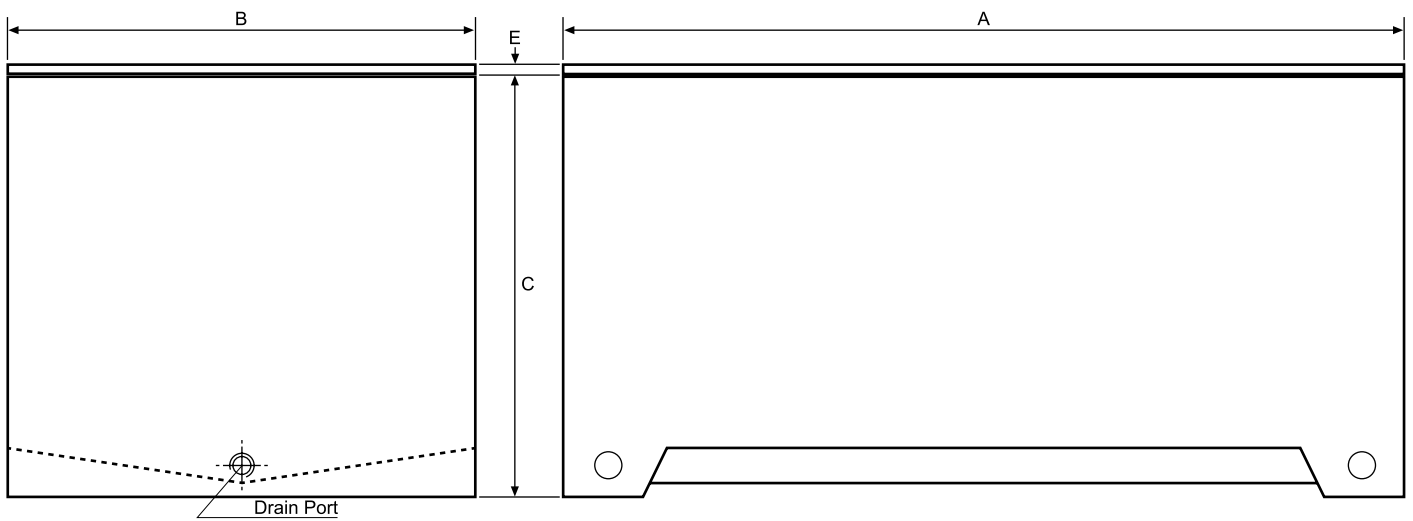


Drilling to be carried out on the tank for the pump fixing

For PMS and PMI Series hand pumps, see pumps section.

Reservoirs

Large Steel Reservoirs



Part Number Selection

Part Number	Capacity (Litres)	A mm (Length)	B mm (Width)	C mm (Height)	Wall Thickness	E mm (Lid)
TANK 40 LTR	40	550	350	350	2	5
TANK 63 LTR	63	660	400	380	2.5	5
TANK 100 LTR	100	800	450	440	3	6
TANK 160 LTR	160	900	550	480	3	6
TANK 260 LTR	260	1000	570	600	3	6
TANK 400 LTR	400	1200	750	670	4	8
TANK 630 LTR	630	1500	900	680	4	8