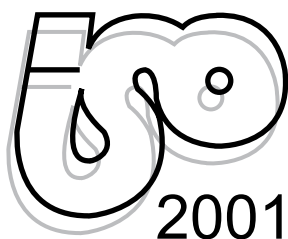


## IPH Series - Pressure Switches



- Four Pressure ranges, (6 to 630 Bar)
- Slice type Mounting blocks available for NG6 or NG10 interfaces

Pressure Switches - Part Numbers and Performance

Part Number	Pressure Setting Range (Bar)	Repeatability
<b>IPH-35</b>	6 - 35	< 2% of Setting
<b>IPH-150</b>	12 - 150	< 2% of Setting
<b>IPH-350</b>	30 - 350	< 2% of Setting
<b>IPH-630</b>	50 - 630	< 2% of Setting
<b>IPN-160</b>	12 - 150	< ± 1% of Setting
<b>IPN-350</b>	30 - 350	< ± 1% of Setting

Line Mounting Adaptors - Part Numbers

Part Number	Description	To Fit Pressure Switch Type
<b>APH-14</b>	1/4" BSP Line mounting adaptor	IPH
<b>BFU-14</b>	1/4" BSP Line mounting adaptor	IPN

Sandwich Type Pressure Switch Mounting Blocks

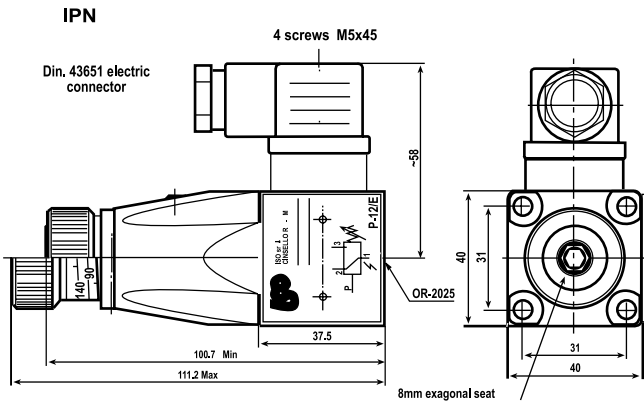
Part Number	Description	Size
<b>SBM-03/210-IP-A</b>	Pressure switch block - pressure sensed from "A" Port	NG 6
<b>SBM-03/210-IP-B</b>	Pressure switch block - pressure sensed from "B" Port	NG 6
<b>SBM-05/210-IP-A</b>	Pressure switch block - pressure sensed from "A" Port	NG10
<b>SBM-05/210-IP-B</b>	Pressure switch block - pressure sensed from "B" Port	NG10
<b>AP - 14</b>	Adapter required when using IPH Switches	-

**Note:** When mounting Type IPH pressure switches on SBM pressure switch blocks, an AP-14 adaptor is required. No adaptor required for type IPN pressure switches

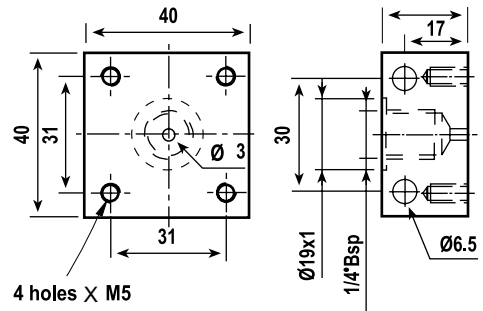
# Industrial Valves - Pressure Switches

## Mounting Details IPN Series Pressure Switches

Valve Details

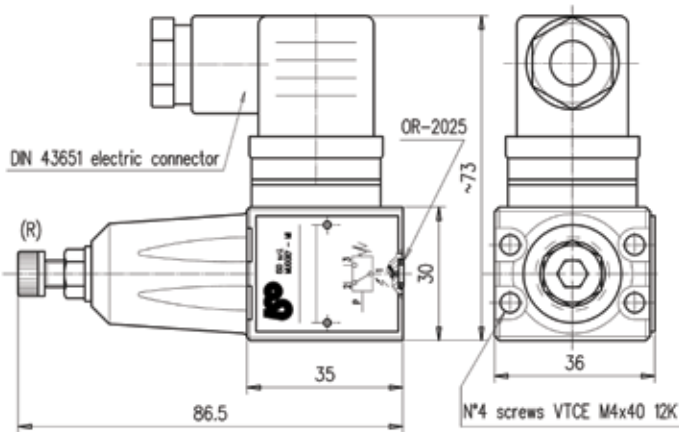


BFU-14 1/4" BSP Adapter

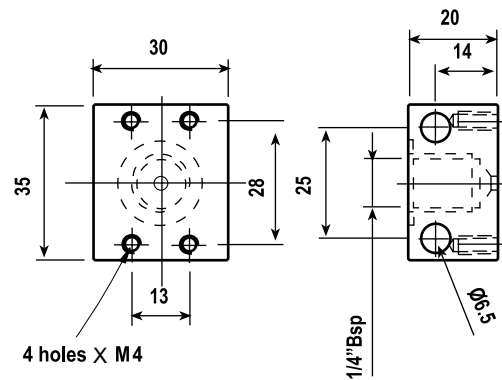


## Mounting Details IPH Series Pressure Switch

Valve Details

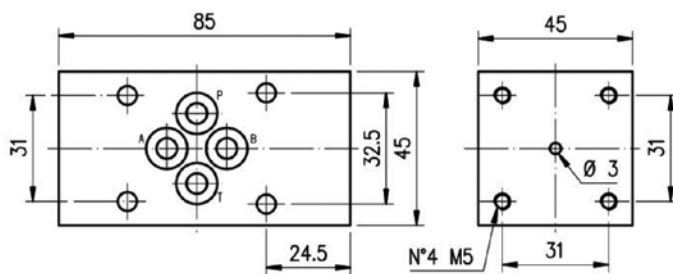


IPH-14 1/4" BSP Adapter



## Mounting Details SBM Pressure Switch Blocks

SBM-03



SBM-05

